

ENERGY-EFFICIENT RECIRCULATION OF DOMESTIC HOT WATER



The ALPHA2 L N pump has been designed to offer instantly hot water in single and multi-family housings in the most cost-effective way. The hot water recirculation pump with a welded stainless steel housing uses as little as down to 7 W to offer not only a price competitive but also a highly energy-efficient domestic hot water solution. As there is no waiting for the water to get warm, the ALPHA2 L N efficiently eliminates the waste of water and energy – and increases comfort for the consumer.

FEATURES AND BENEFITS

- › High efficiency – Permanent Magnet Motor Technology
- › Easy electrical connection due to the renowned ALPHA-plug
- › Intuitive operation
- › Energy usage: 7 W - 45 W
- › Cost-efficient hot water recirculation solution
- › Compact design
- › One pump, able to replace a range of UP products

TECHNICAL DATA – ALPHA2 L 20-45 N 150

Product Number:	98094952
Flow Q max:	2.6 m ³ /h
Head H max:	4.5 m
Liquid temperature:	+2 °C to +110 °C
P Max:	10 bar
Power range:	7 W - 45 W
Motor:	50 Hz, 230 V

**MODERN
COMFORT**
BY GRUNDFOS

be
think
innovate

GRUNDFOS 

UPGRADE WITH AN ATTRACTIVE RETURN ON INVESTMENT

Replacing an existing UP pump with the ALPHA2 L N can be done with a very attractive return on investment. As the table shows very large yearly savings can be obtained by replacing any of the 3 UP pumps with the ALPHA2 L N.

Present pump	Yearly energy consumption	Replacement	Yearly consumption	Savings		
				kWh	By 0.09 €/kWh	By 0.29 €/kWh
UP 20-07 N (47 W)	412 kWh	ALPHA2 L 20-45 (speed 1)	61 kWh	351	32 €	102 €
UP 20-30 N (70 W)	613 kWh	ALPHA2 L 20-45 (speed 2)	263 kWh	350	32 €	102 €
UP 20-45 N (117 W)	1.025 kWh	ALPHA2 L 20-45 (speed 3)	394 kWh	631	57 €	183 €

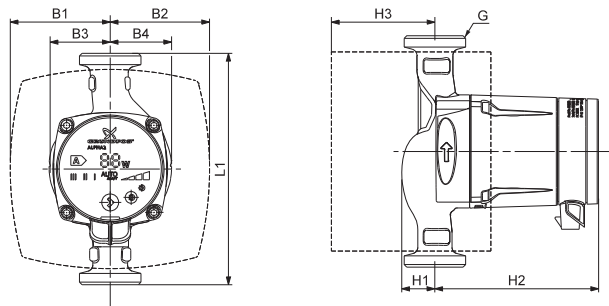
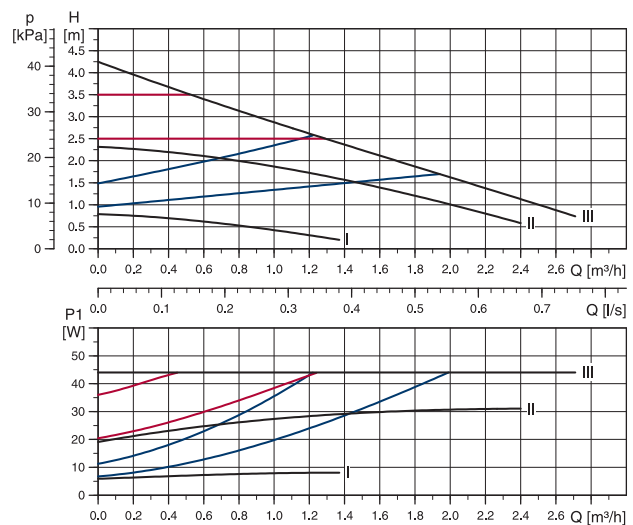
Example 1: Bulgaria: 0.0880 €/kWh source www.energy.eu Example 2: Denmark 0.2864 €/kWh source www.energy.eu

THREE DIFFERENT SPEED MODES

UP Pump	Replacement	W
UP 20-07N UP 20-15N	Speed 1: ALPHA2 L N 20-45 150	7 W
UP 20-30N	Speed 2: ALPHA2 L N 20-45 150	30 W
UP 20-45N	Speed 3: ALPHA2 L N 20-45 150	45 W

The ALPHA2 L N pump is able to run at three different speeds, allowing it to easily replace any of the pumps in the UP range.

PERFORMANCE CURVES



Pump type	Dimensions [mm]						Weights [kg]	
	L1	B3	B4	H1	H2	G	Net	Gross
ALPHA2 L 20-45N	150	43	43	27	127	1¼	1.8	2.0

GRUNDFOS PUMPS INDIA PVT. LTD

No. 118, Rajiv Gandhi Salai,
Thoraipakkam, Chennai - 600 097.

Toll free: 1800-345-4555

Email: salesindia@grundfos.com

www.grundfos.in

